

Seac
7eck

Tech Info...
 Span 1200mm
 Area 2.30dm²
 AUW 260 g (including radio & BEC controller)
 Loading 113g/dm²
 90mm Dihedral under each tip (approx).
 CG at 56mm from LE.
 Place radio to suit CG after building and finishing.

TITLE

Garden Cub

PART NUMBER

DRAWN

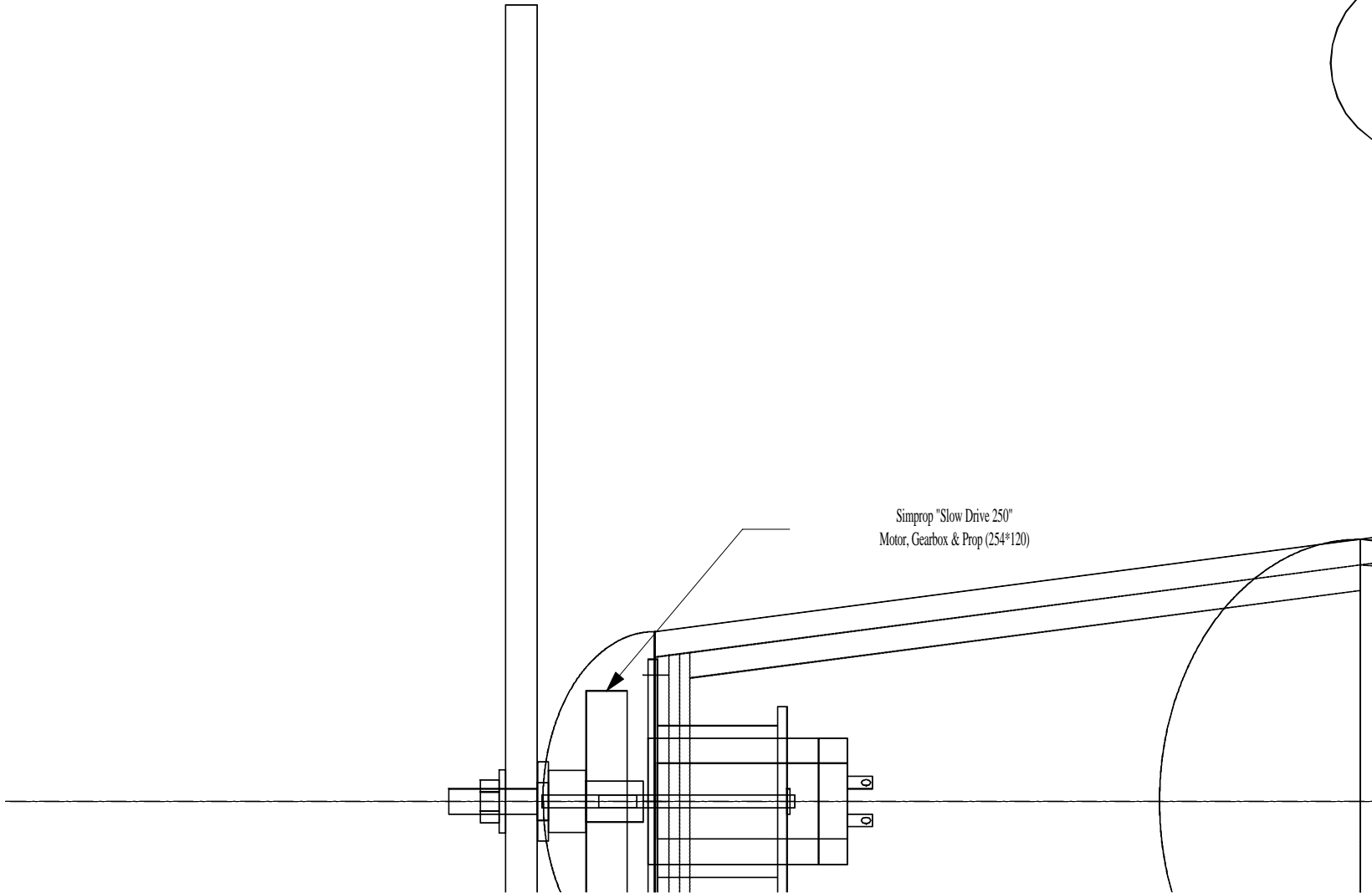
Neil G

CAD FILE NAME

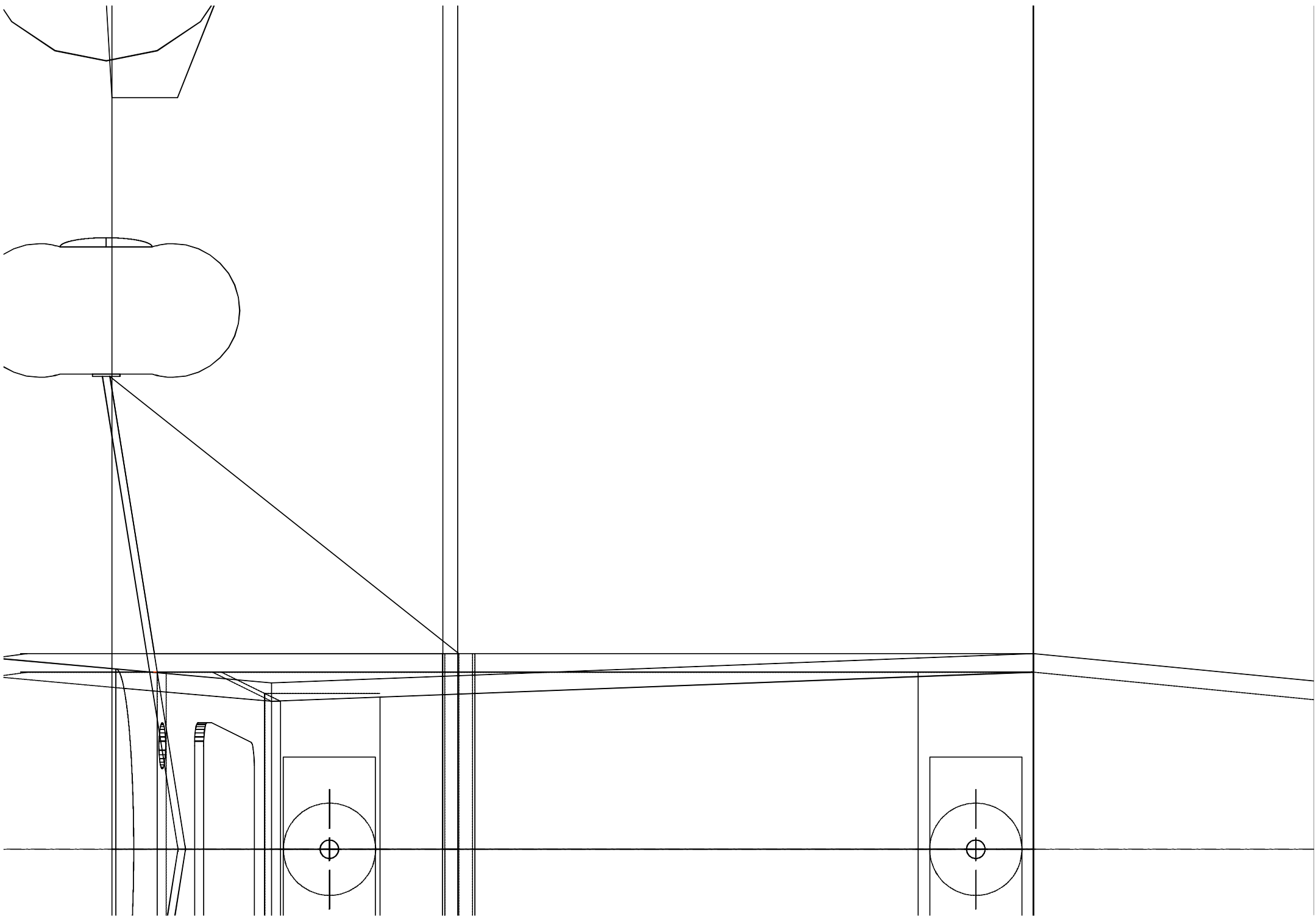
Garden Cub

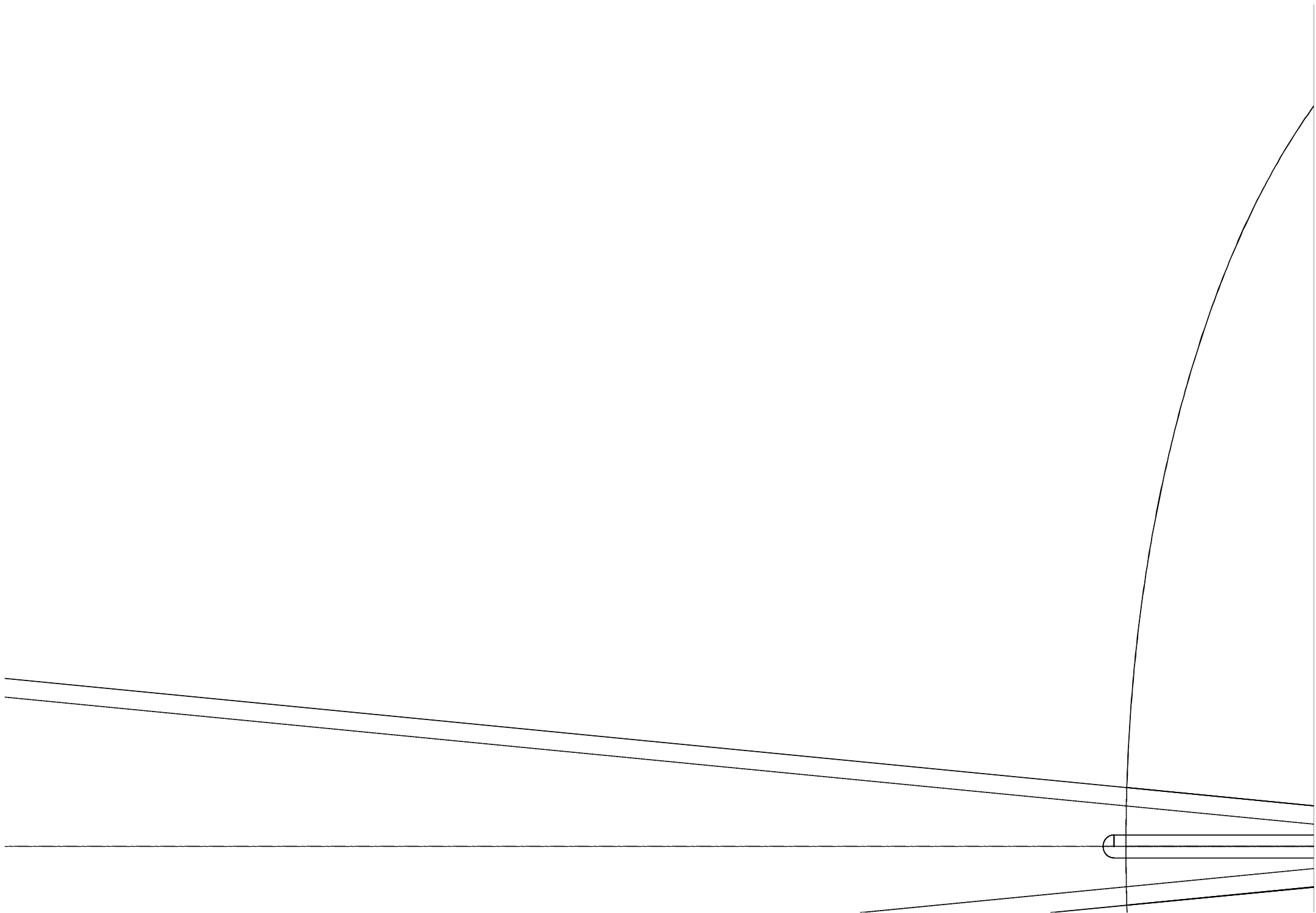
5000
illies

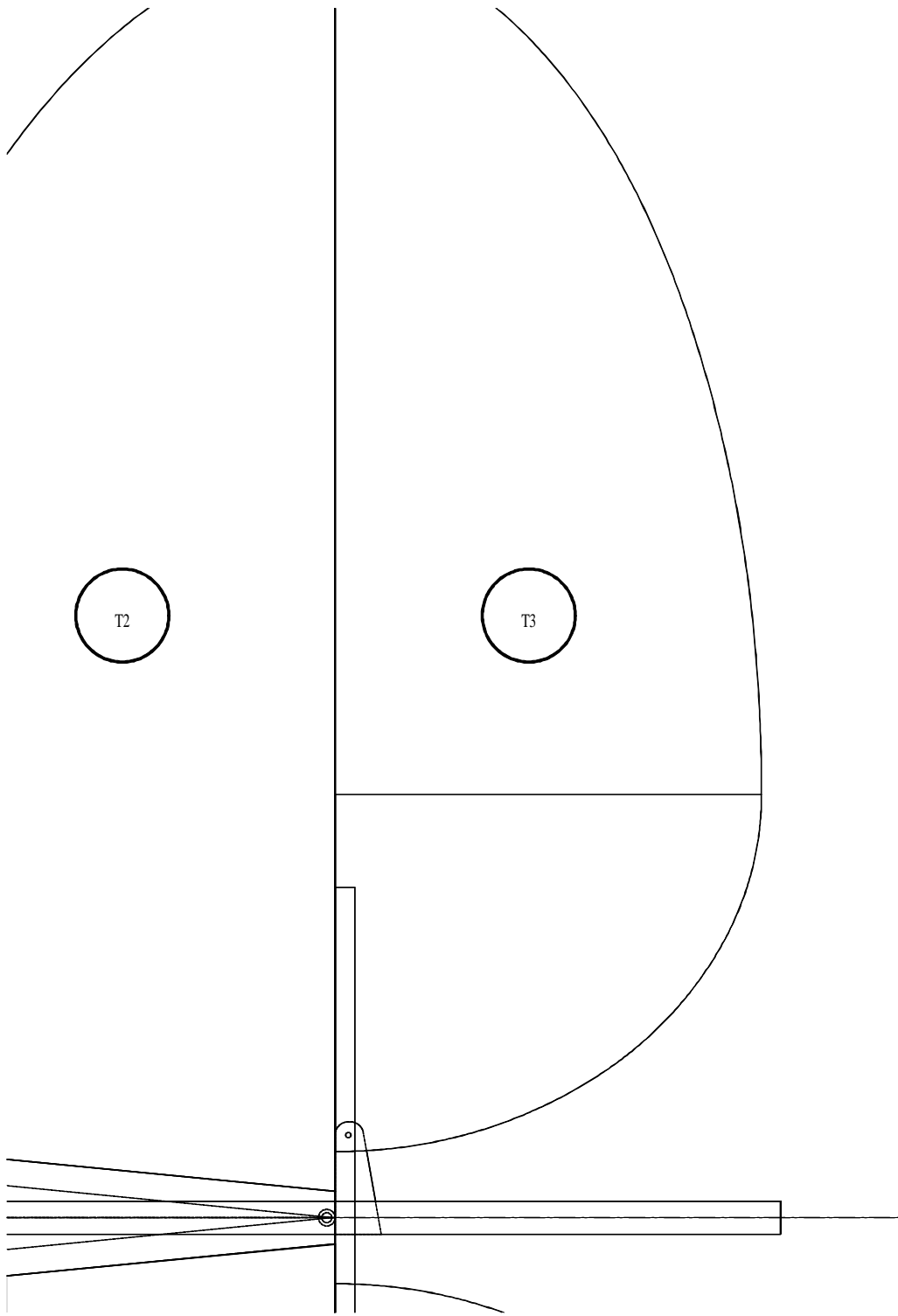
BY	DATE
illies	18 Feb 99



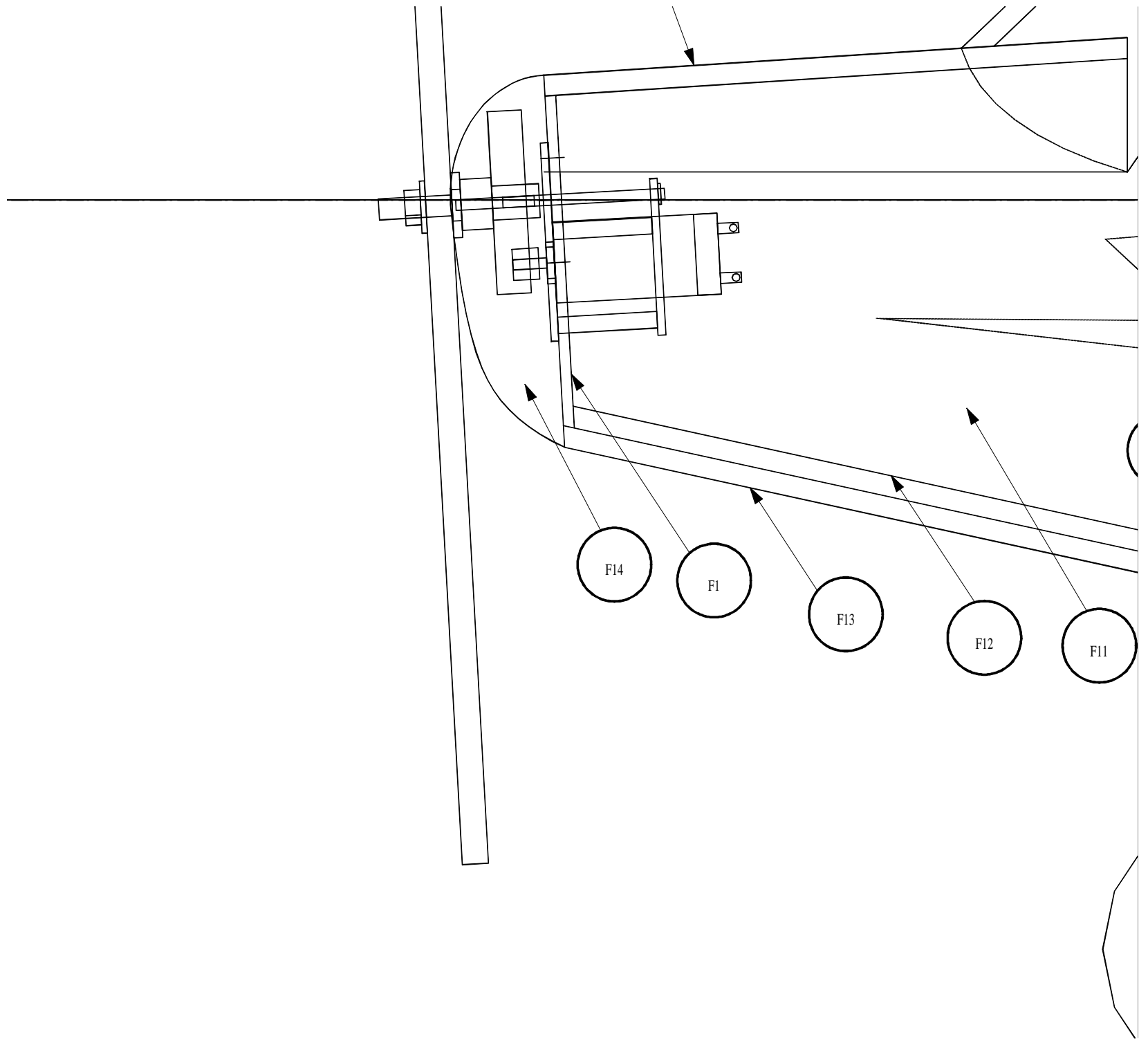
Simprop "Slow Drive 250"
Motor, Gearbox & Prop (254*120)

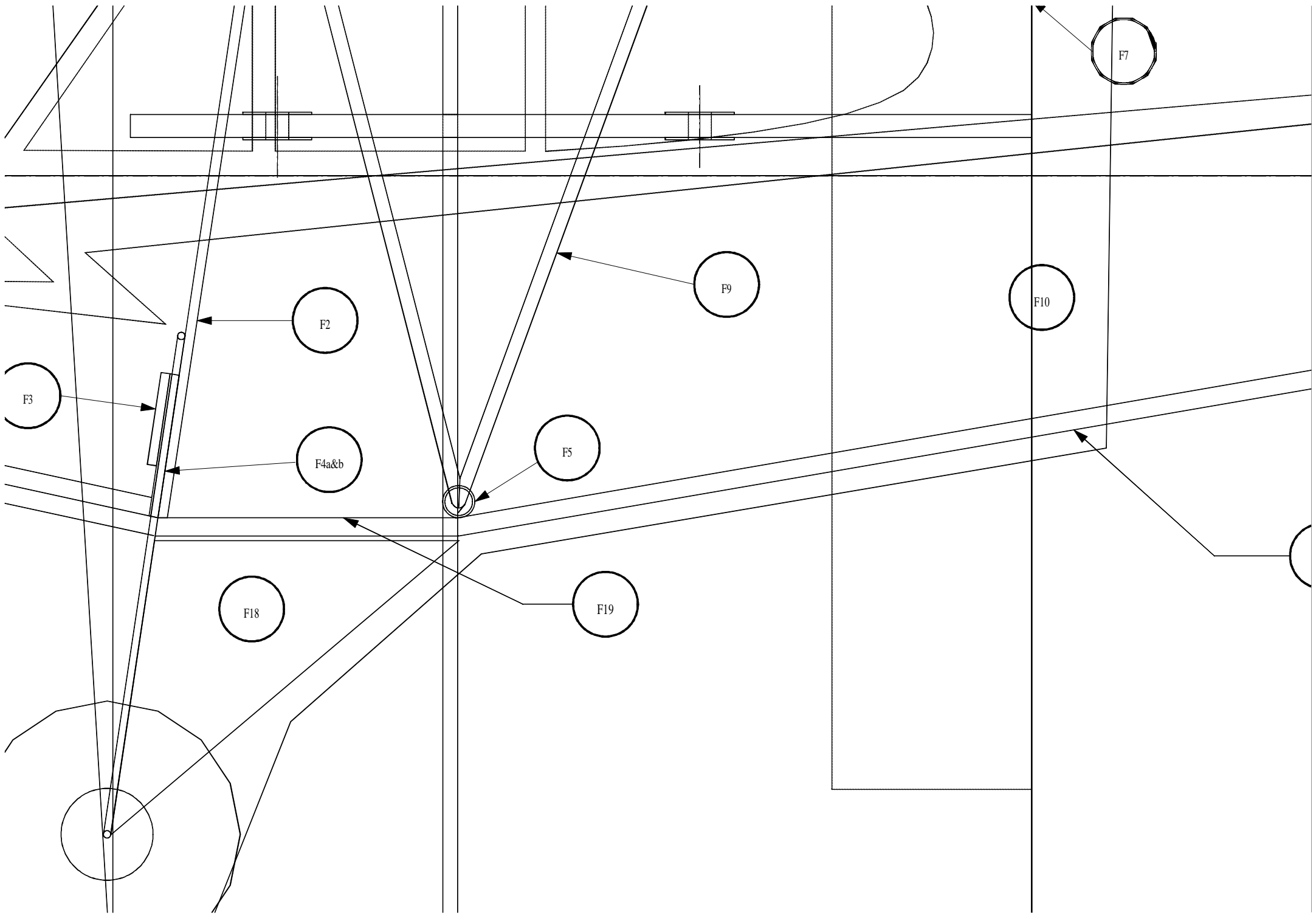


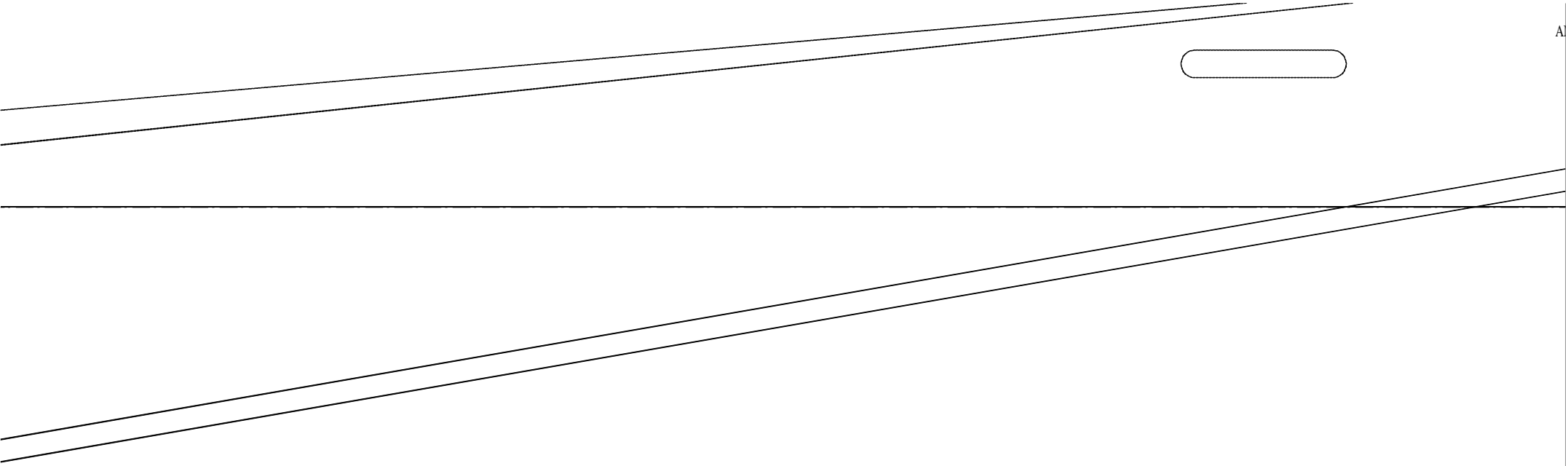
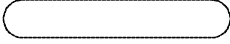


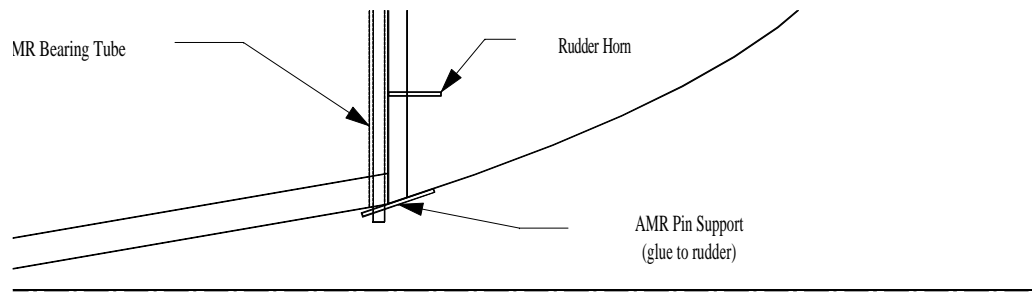




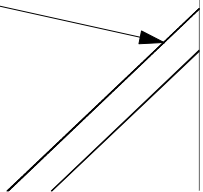
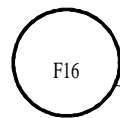
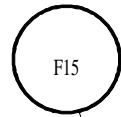


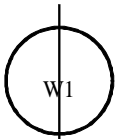




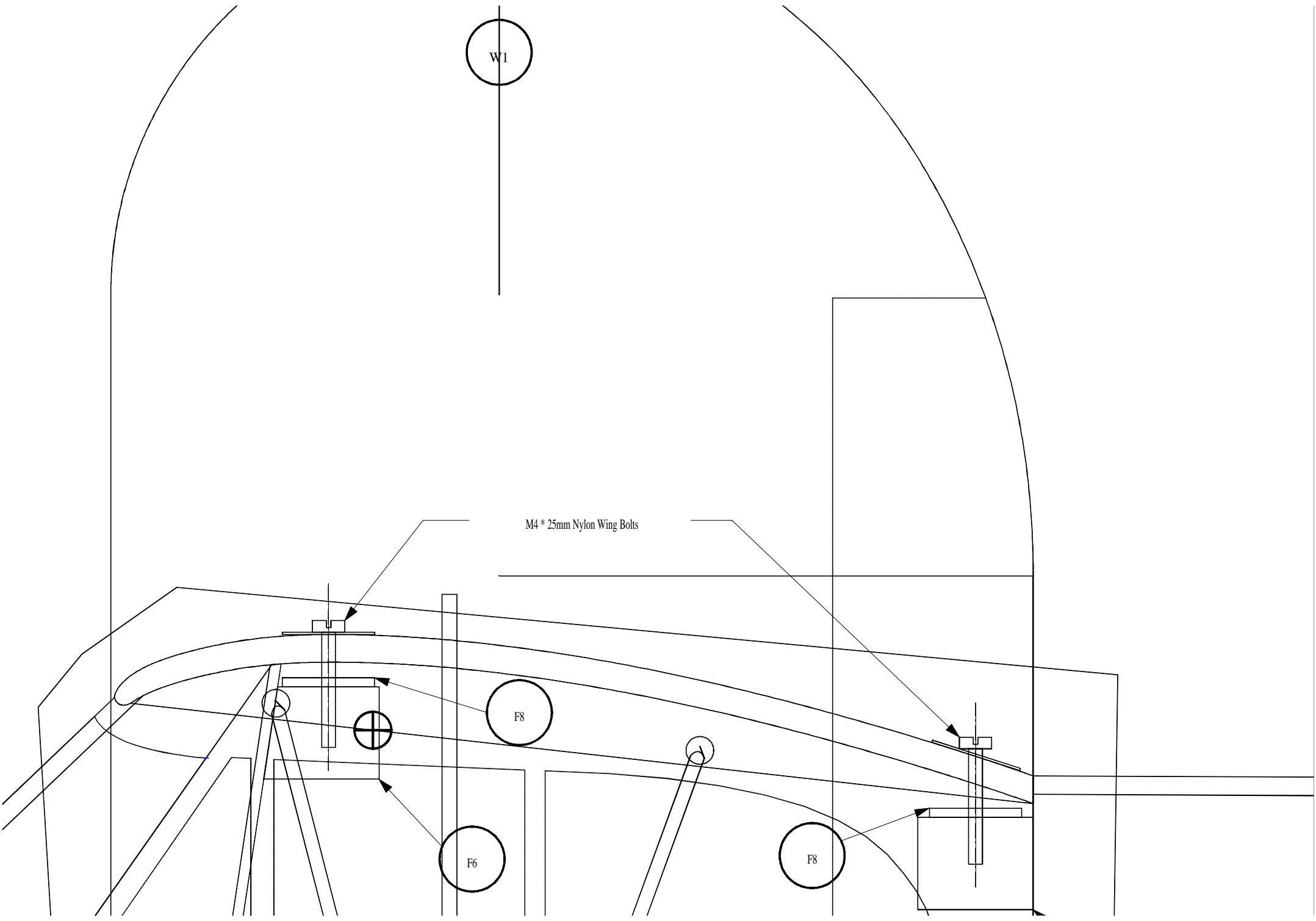




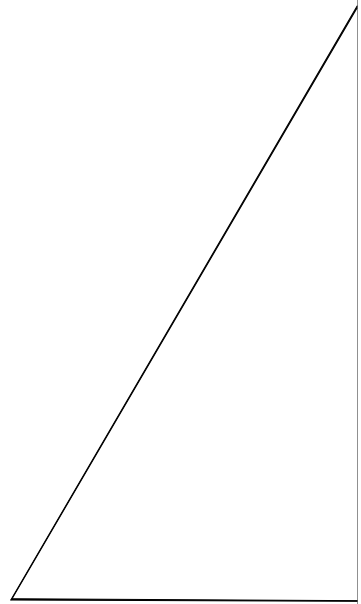
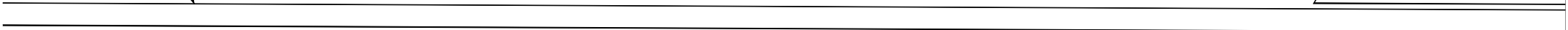




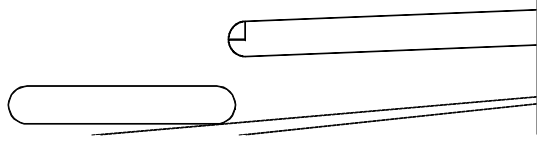
M4 * 25mm Nylon Wing Bolts

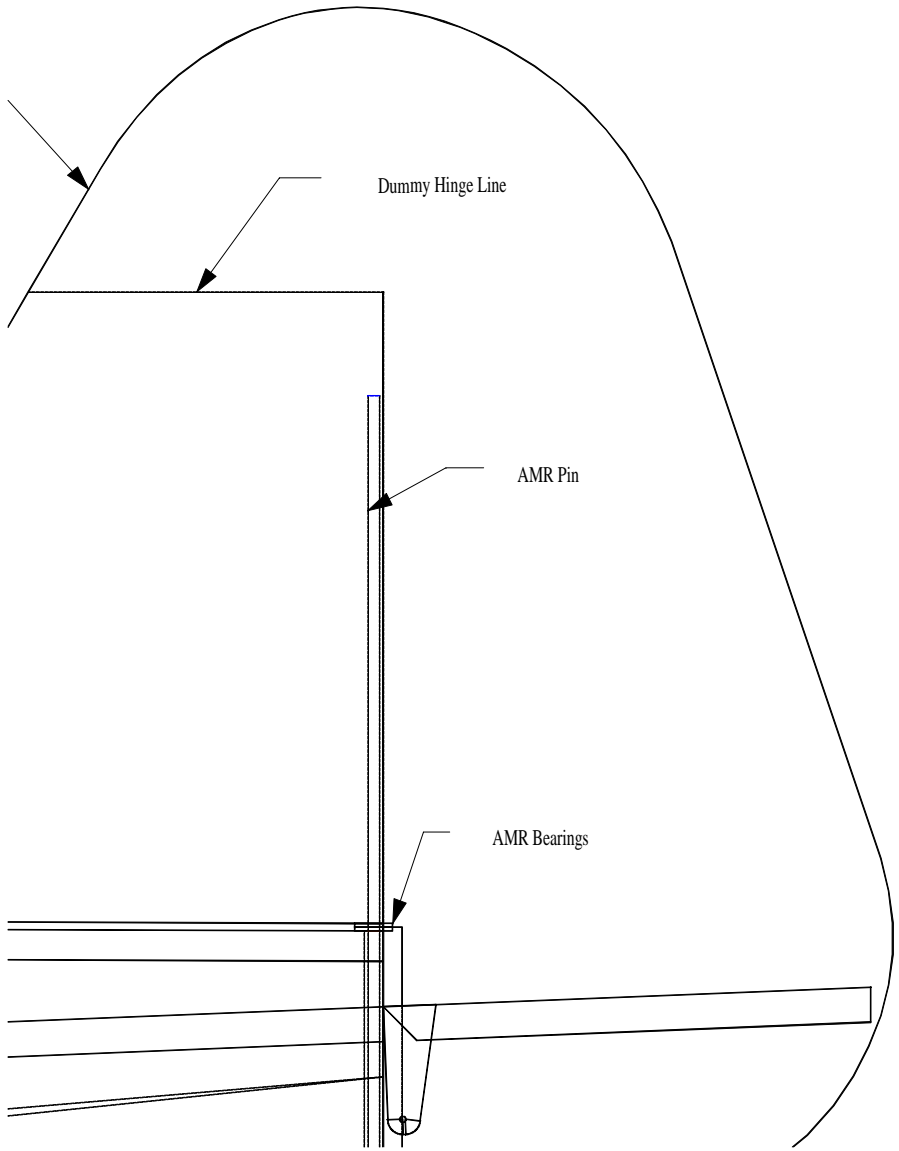


F17

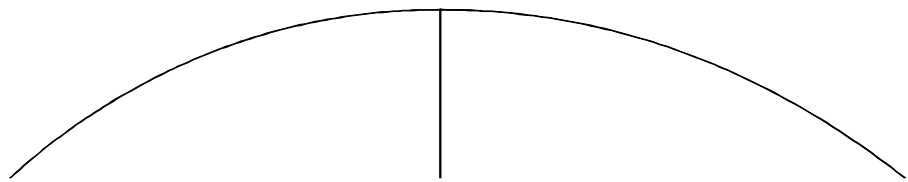


T1









⊕

⊕

⊕

⊕
⊕

⊕