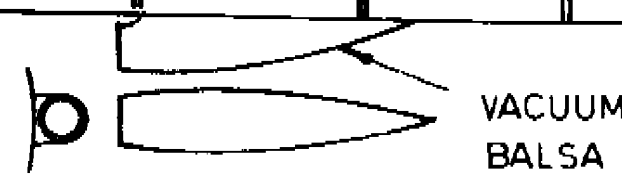
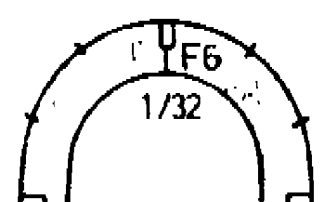
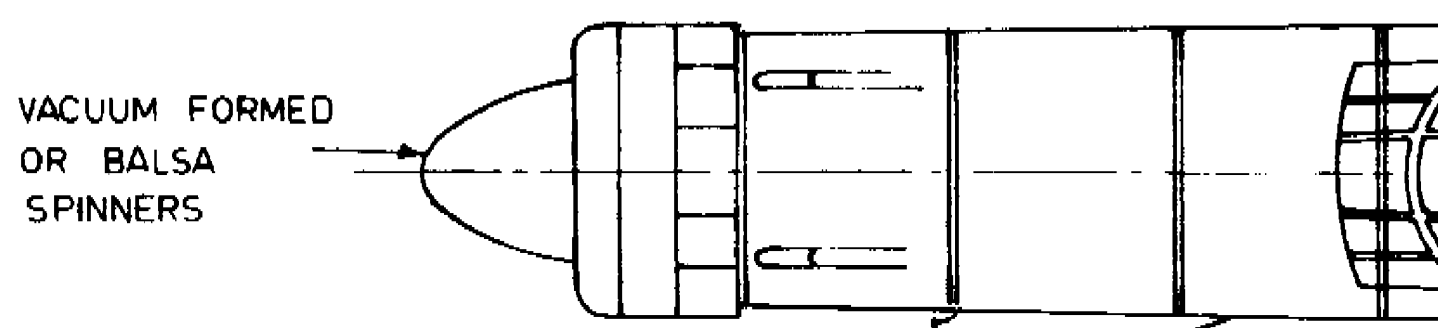
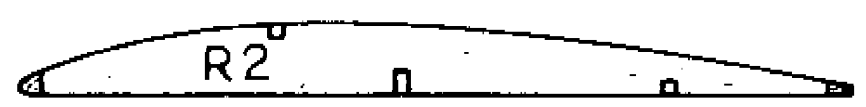
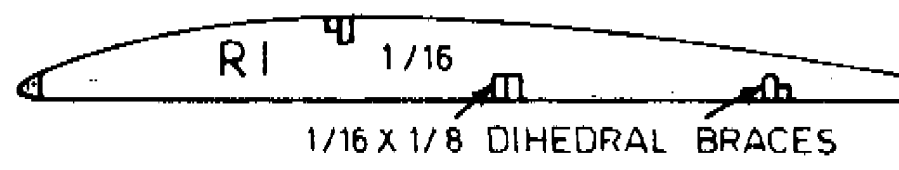
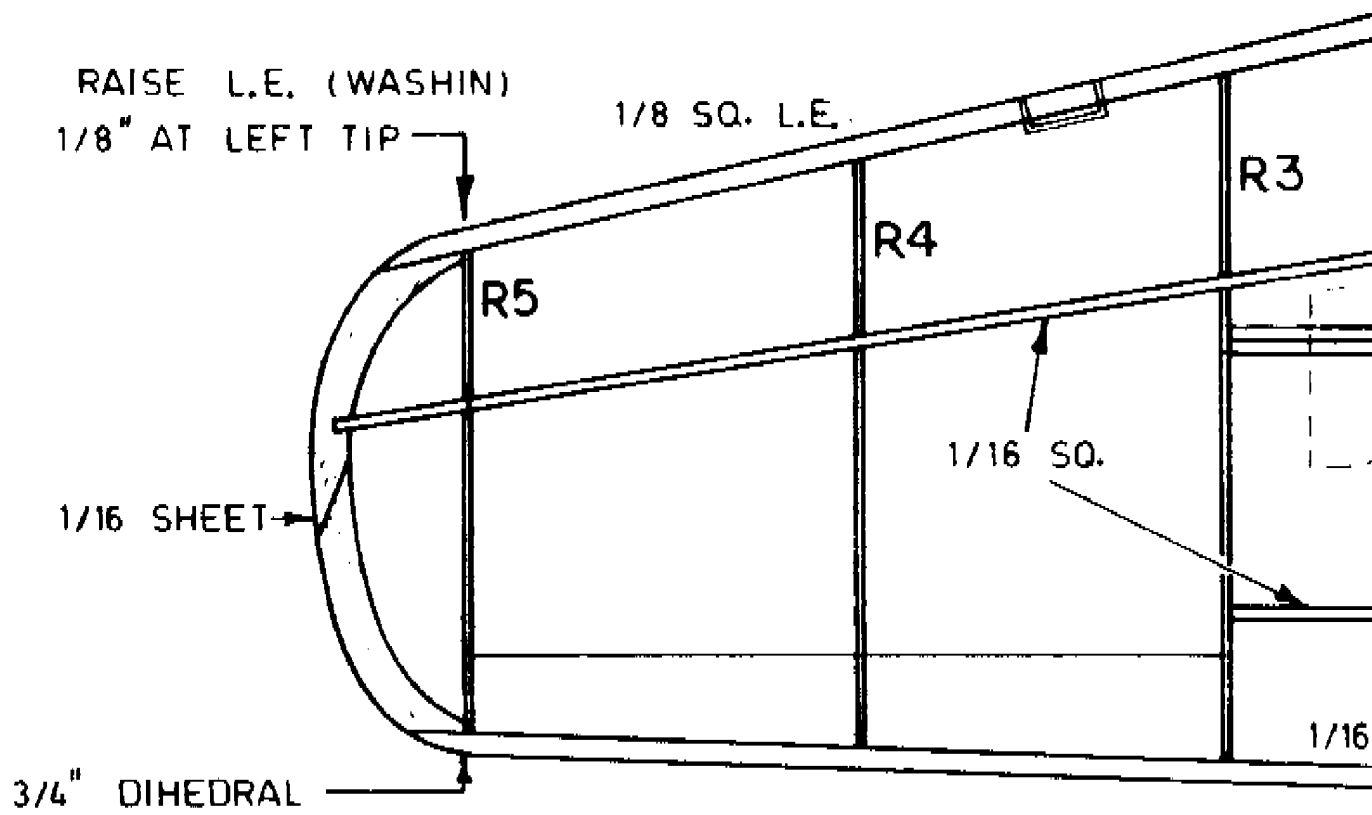


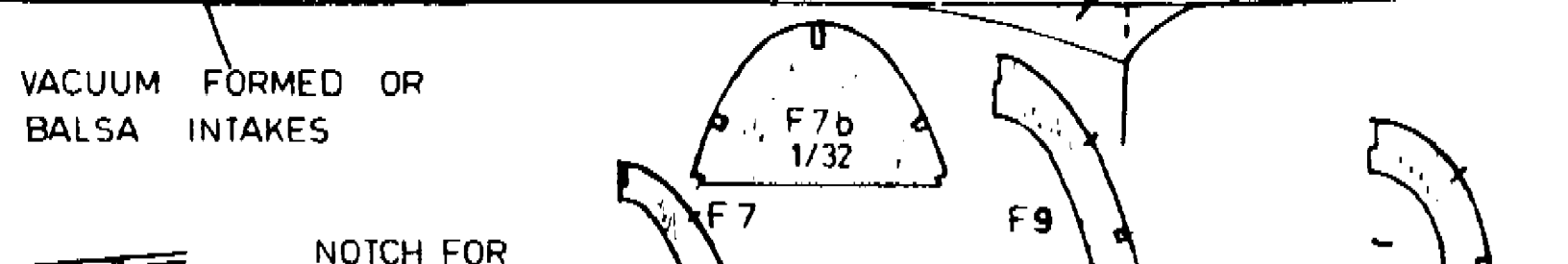
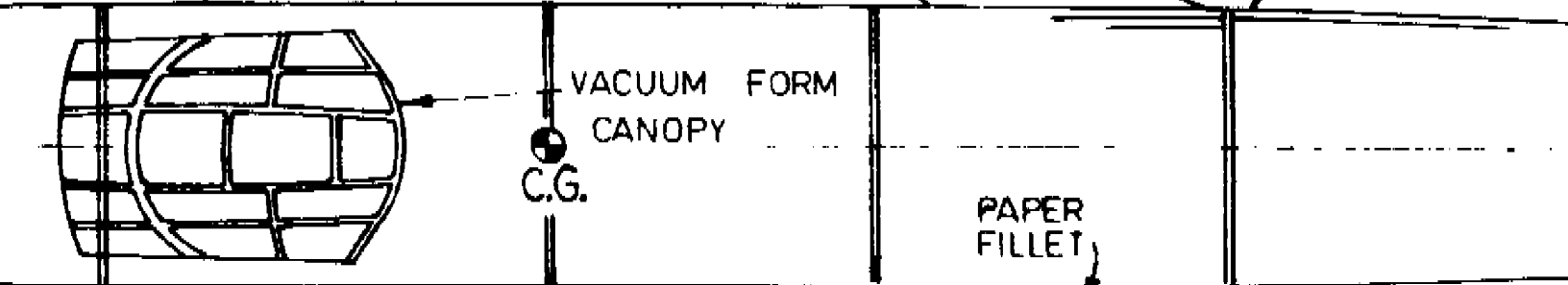
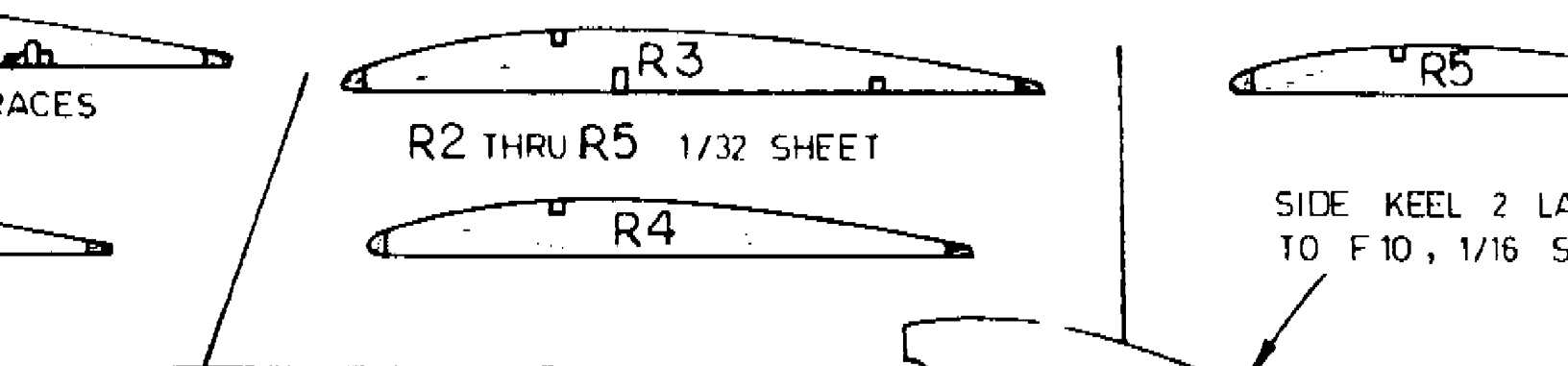
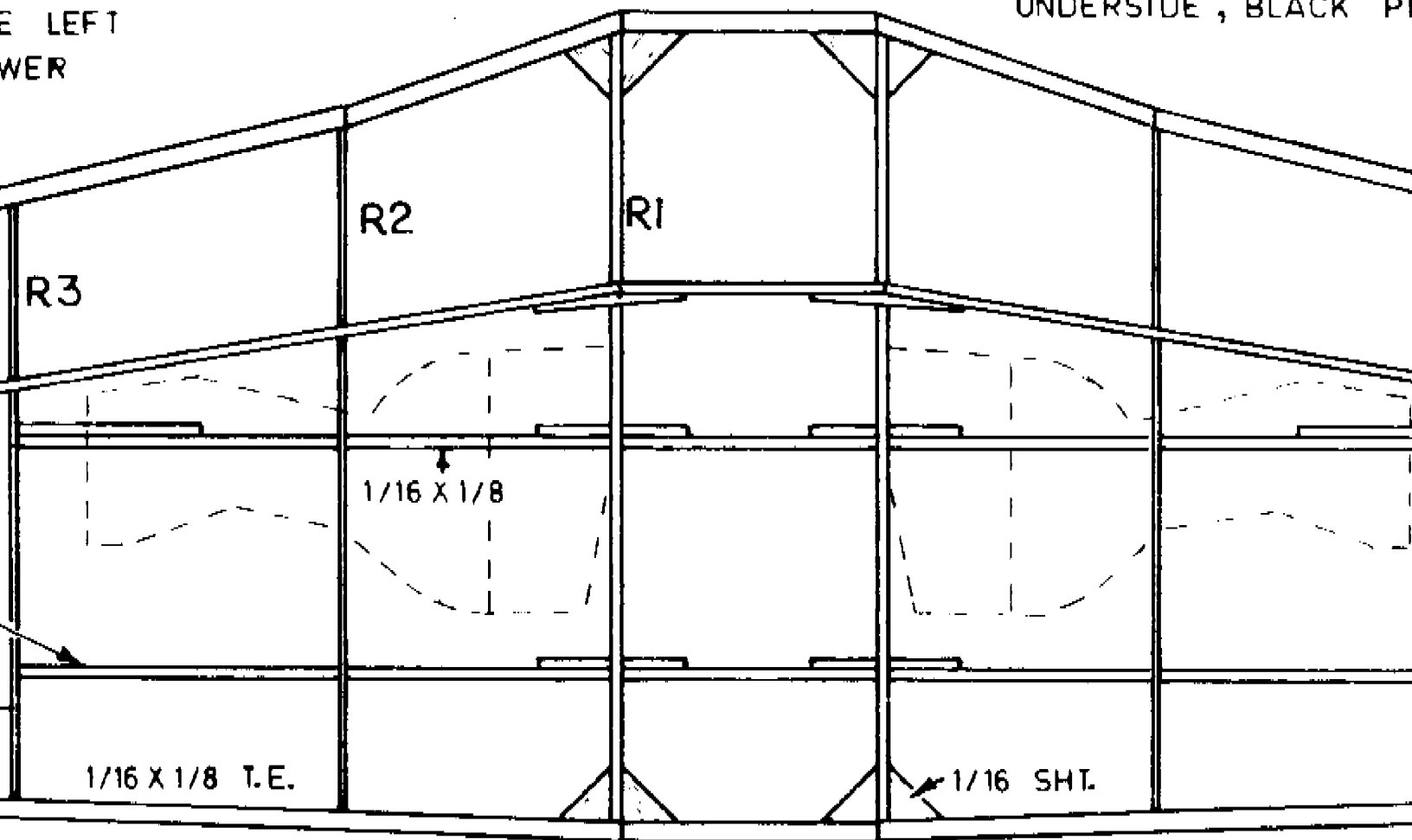
TRIM FOR GENTLE LEFT  
TURN UNDER POWER  
AND IN GLIDE



1/16 SHEET

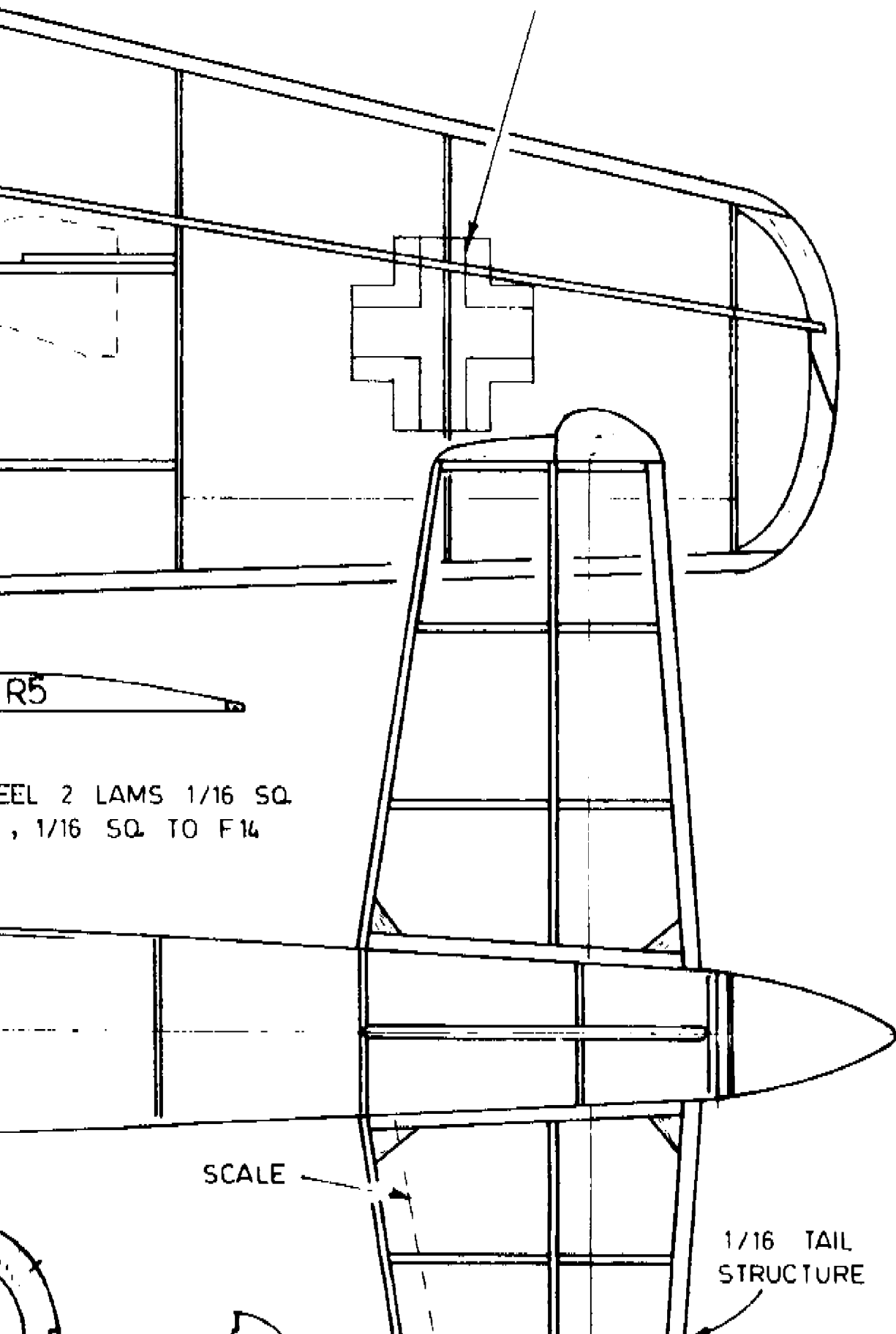
COLOR - DARK AND LIGHT  
PATTERN ON UPPER SURFACE  
UNDERSIDE, BLACK PATTERN

LEFT  
POWER



AND LIGHT GREEN SPLINTER  
UPPER SURFACES, LIGHT BLUE  
BLACK PROPS AND SPINNERS

BOTTOM - BLACK CROSS, WHITE BORDER  
TOP - WHITE BORDER ONLY



R5

HEEL 2 LAMS 1/16 SQ.  
, 1/16 SQ TO F14

SCALE

1/16 TAIL  
STRUCTURE

BALSA

1/16 SHEET

1/32 SCAB

1/32 WIRE GEAR LEGS

BALSA WHEELS - 2 OUTER LAYERS OF 1/16 OVER 1/4 INNER CORE.

1/32 I.D. ALUM TUBE

PAPER WHEEL DOORS

F1  
1/8

F2  
1/8

F3  
1/16

6" TO 7" DIA.  
PLASTIC OR BALSA  
PROPS

4 EXHAUSTS  
3/16 BALSA

2° DOWNTHRUST

F12

34

F5

F6

1/32 SHEET

NOSE PLUG

1/32 I.D.  
ALUM TUBE

2 LAMS OF  
1/32 SHEET

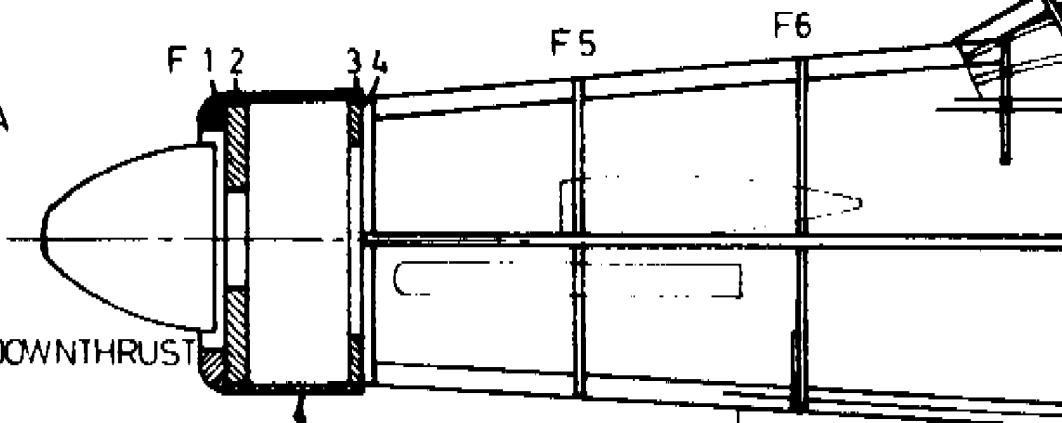
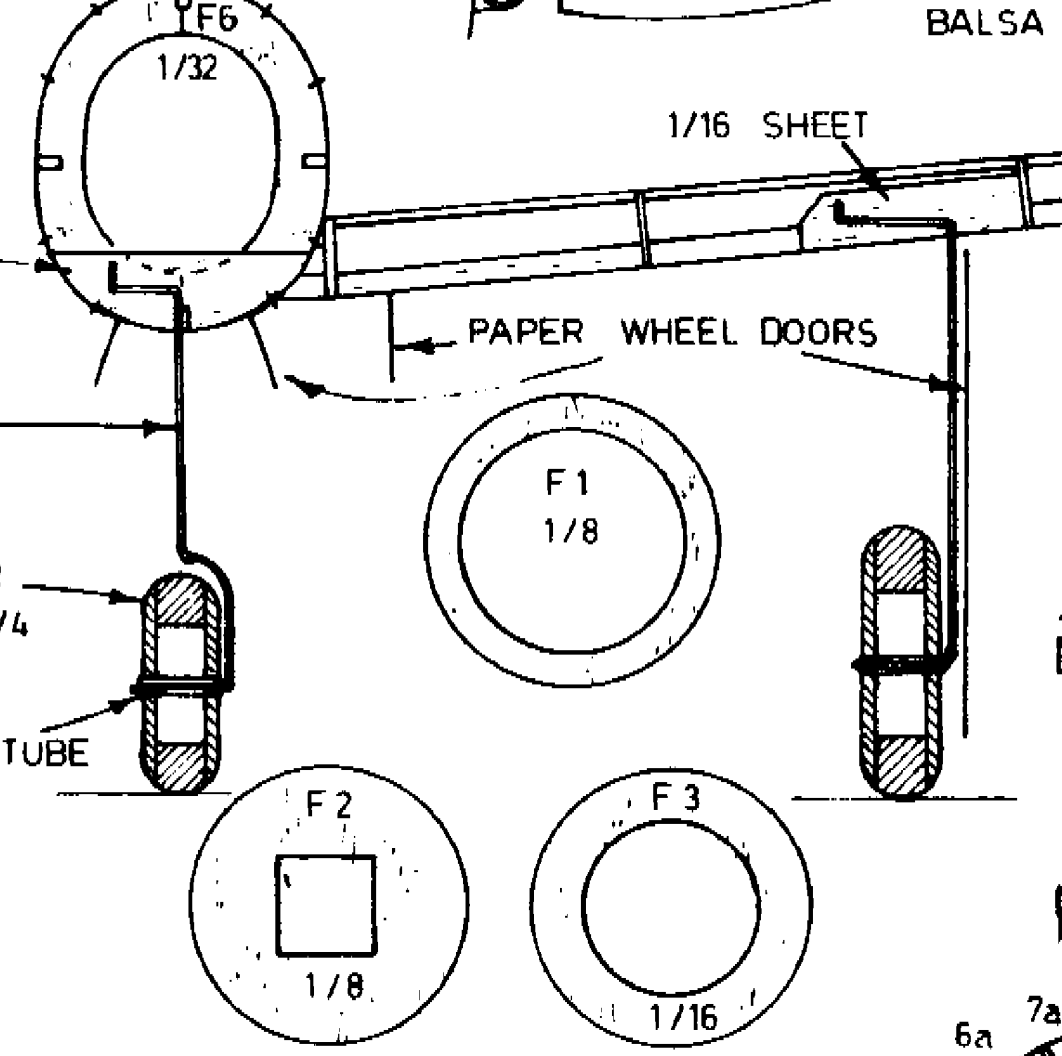
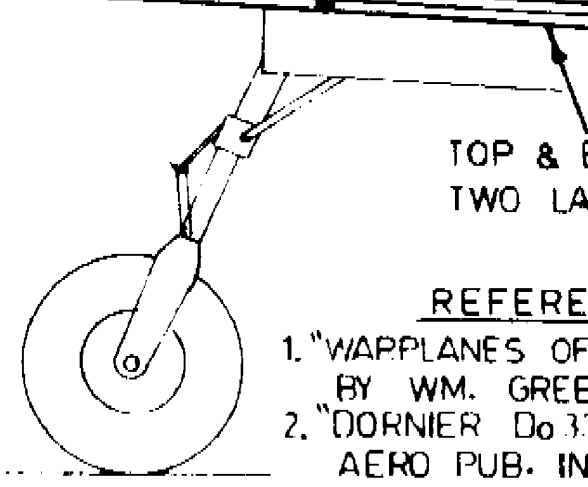
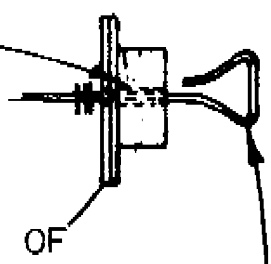
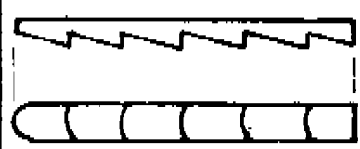
1/32 WIRE  
REVERSE "S" HOOK

1/4 SHEET

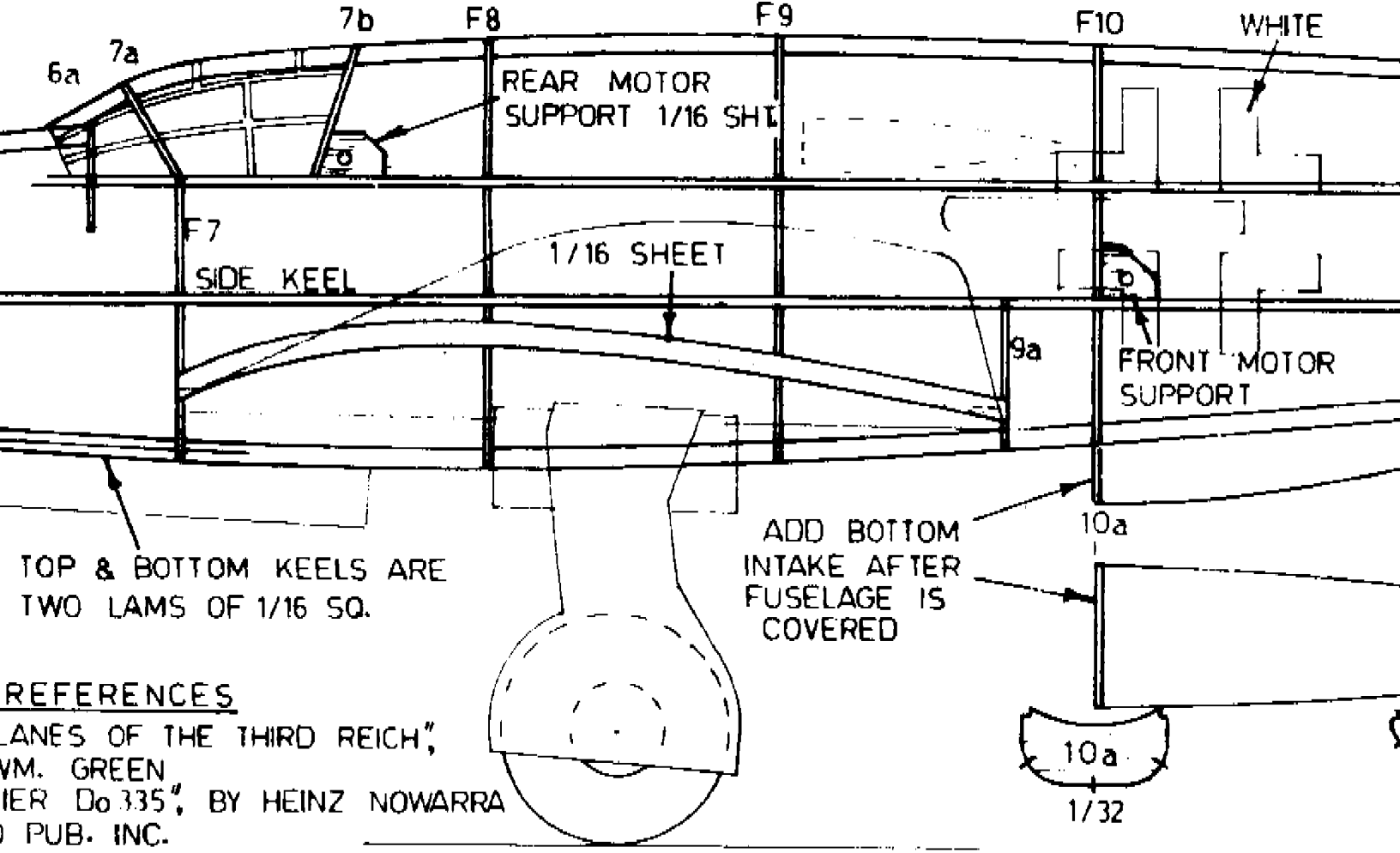
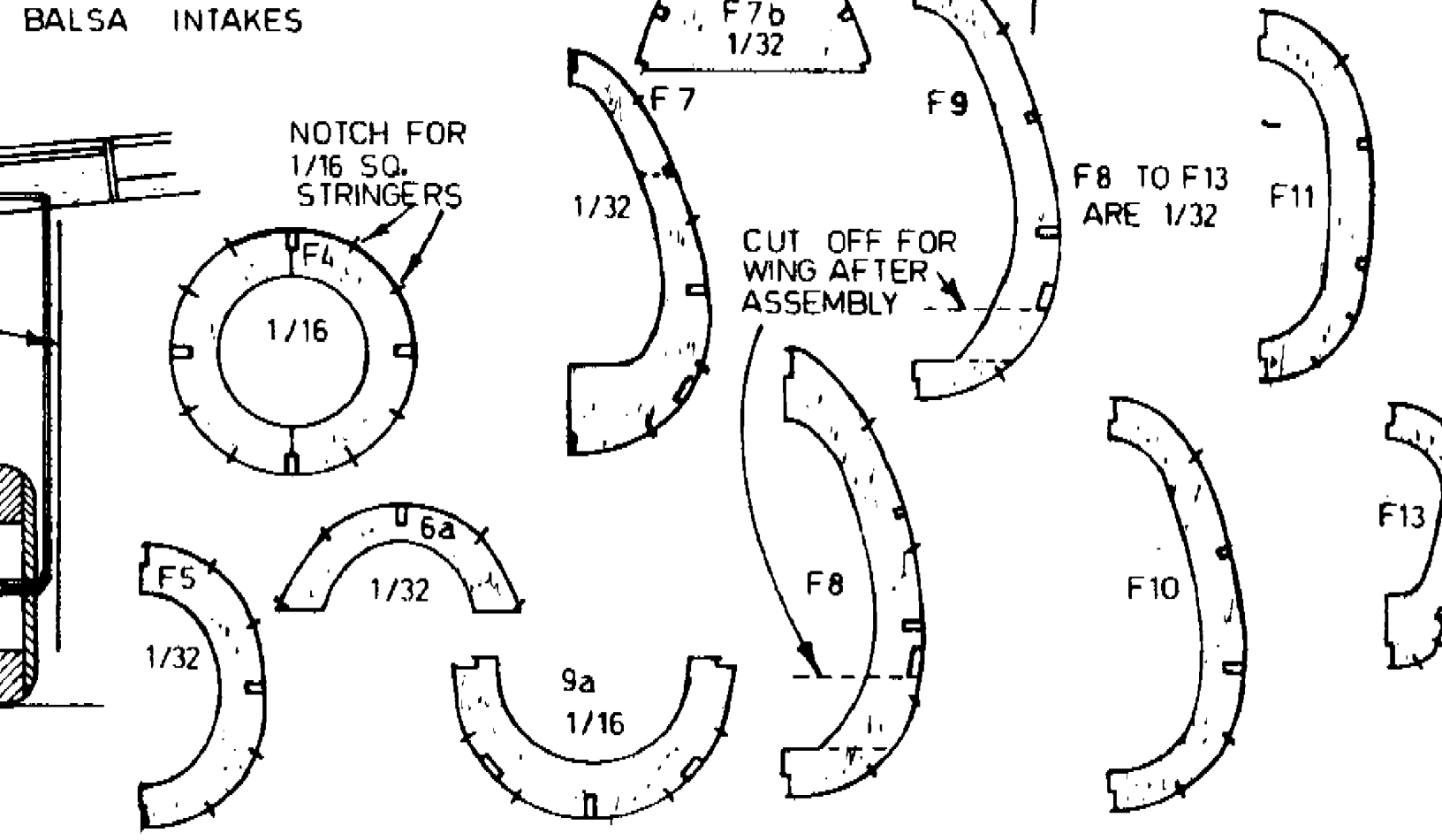
TOP & B  
TWO LA

REFERE

1. "WAPPLANES OF BY WM. GREE
2. "DORNIER Do 3. AERO PUB. IN
3. JULY, 1975 "SCA

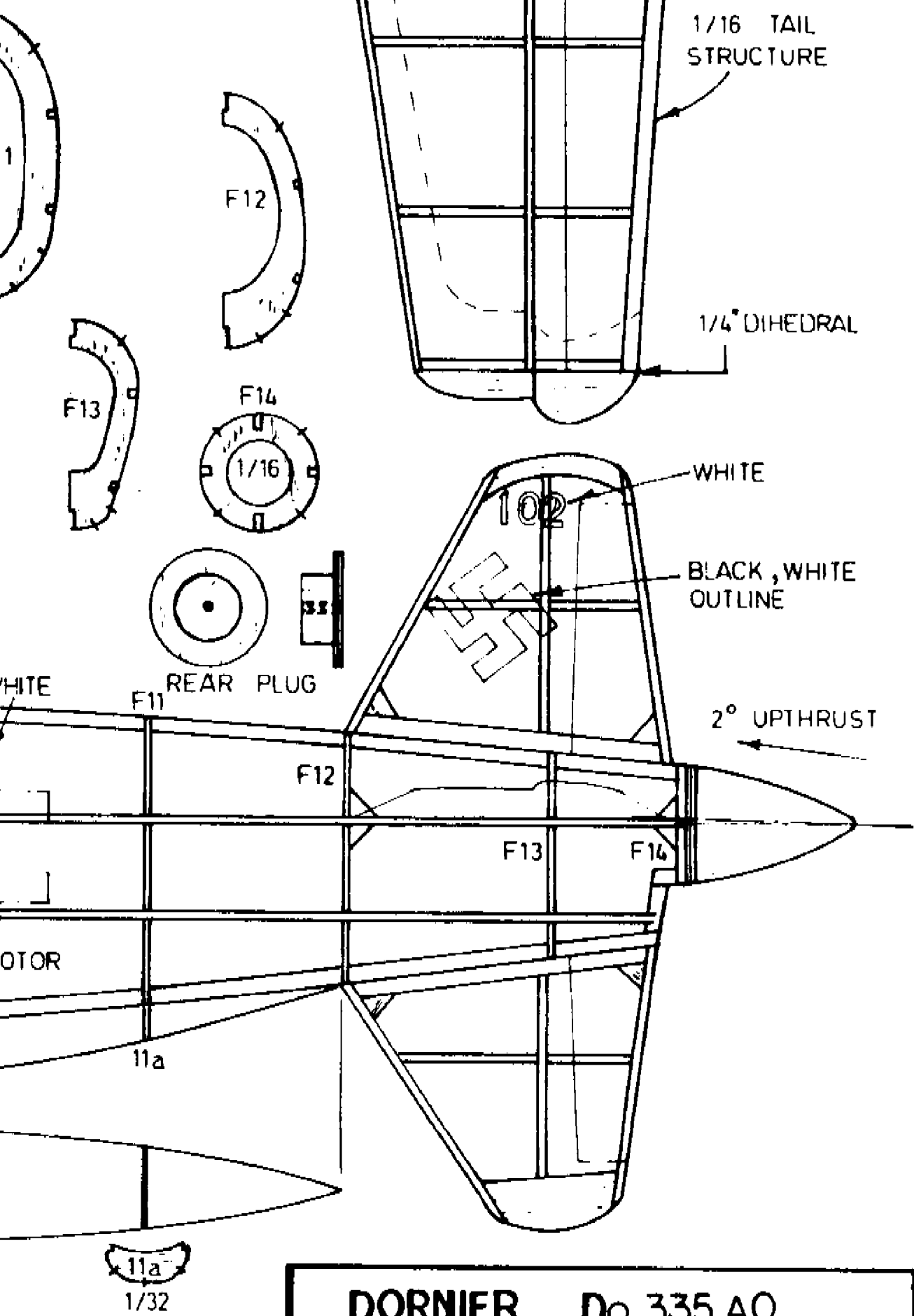


BALSA INTAKES



REFERENCES

"PLANES OF THE THIRD REICH",  
 W.M. GREEN  
 "PIPER Do 335", BY HEINZ NOWARRA  
 H.P. PUB. INC.  
 "1975 SCALE MODELS"



**DORNIER Do 335 A0**  
**"PFEIL" (ARROW)**  
 SPAN 18" AREA 65 IN.<sup>2</sup>  
 DESIGNED & DRAWN BY DON SRULL